

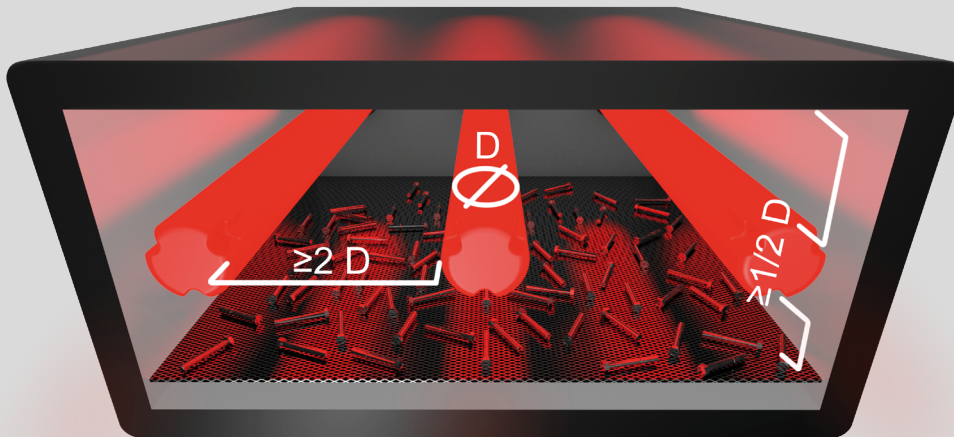
Data Sheet

REKUMAT® C Radiant Tubes

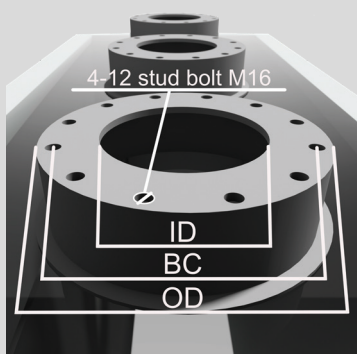
WS Wärmeprozess-technik GmbH
 Dornierstraße 14
 D-71272 Renningen
 Tel.: +49 7159 / 16320
 Fax: +49 7159 / 2738
 @: ws@flox.com
 web: www.flox.com



Our radiant tubes – the best accessory for high temperatures.



INTERMEDIATE SIZES AND CUSTOMIZED SOLUTIONS AVAILABLE UPON REQUEST



| Type | Standard dimension | | | | |
|------|--------------------|-----------------------|------------------------|-----------------------|-----------------|
| | Outer-Ø OD [mm] | Bolt circle-Ø BC [mm] | Installation-Ø ED [mm] | Radiant tube-Ø D [mm] | Length-Ø L [mm] |
| C100 | 250 | 210 | 150 | 100 | 950-1650 |
| C150 | 320 | 280 | 220 | 145 | 1250-2800 |
| C200 | 375 | 335 | 275 | 195 | 1500-2800 |

GOOD TO KNOW :

- the radiant tube section within the furnace insulation must be wrapped with fibre blanket.
- once installed, the tube must not be subject to external forces, e.g. from furnace insulation.
- the diameter of the furnace installation opening equals the tube outer diameter + 50 to 65mm.
- prior to installing the radiant tube, furnace flange squareness and dimensional accuracy must be confirmed.
- coordinate the minimum insulation thickness of furnace flange spool piece with WS, if applicable.
- distances noted herein are minimum values. In consultation with WS, other dimensions may be possible.

